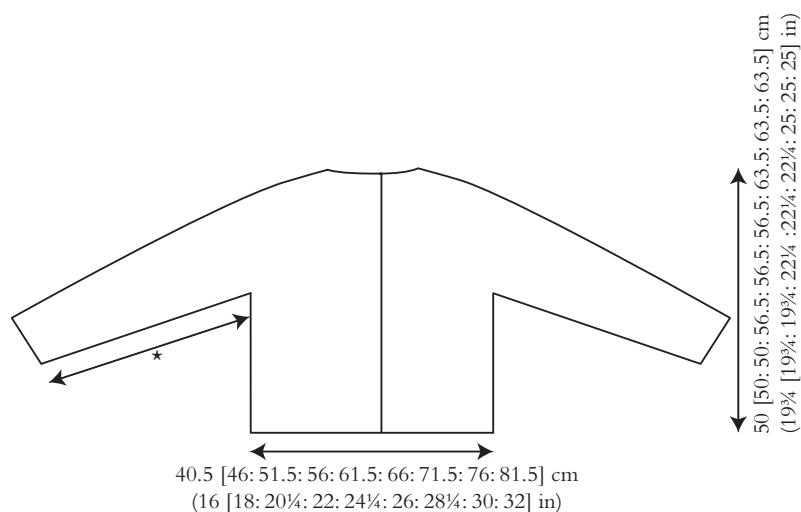


# ELMWOOD

Georgia Farrell



Sample size 81-86 cm (32-34")



\* 41 [42: 42: 42.5: 42.5: 43: 43: 44: 44] cm  
(16¼ [16½: 16½: 16¾: 16¾: 17: 17: 17¼: 17¼] in)

## SIZE

To fit chest (cm/in)

71-76	81-86	91-97	102-107	112-117	122-127	132-137	142-147	152-157
28-30	32-34	36-38	40-42	44-46	48-50	52-54	56-58	60-62

Actual chest measurement of garment

81	92	102.5	112	122.5	132	142.5	152	162.5
32	36¼	40¼	44	48¼	52	56	59¾	64

## YARN

**Felted Tweed** (50gm)

A Carbon 159

2	2	3	3	3	3	4	4	4
---	---	---	---	---	---	---	---	---

B French Mustard 216

1	2	2	2	2	2	2	2	2
---	---	---	---	---	---	---	---	---

C Alabaster 197

1	1	1	1	1	2	2	2	2
---	---	---	---	---	---	---	---	---

D Avocado 161

1	1	1	2	2	2	2	2	2
---	---	---	---	---	---	---	---	---

E Granite 191

1	1	1	2	2	2	2	2	2
---	---	---	---	---	---	---	---	---

F Lotus Leaf 205

1	1	1	2	2	2	2	2	2
---	---	---	---	---	---	---	---	---

## NEEDLES

1 pair 4mm (no 8) (US 6) needles

4mm (no 8) (US 6) circular needle at least 100 cm long

Set of 4 double-pointed 3½mm (no 10/9) (US 4) needles

Set of 4 double-pointed 4mm (no 8) (US 6) needles

**BUTTONS** - 8 [8: 8: 9: 9: 9: 10: 10: 10] x TGB4276 (mussel shell 15mm) from Textile Garden. Please see information page for contact details.

## TENSION

22 sts and 30 rows to 10 cm measured over st st using 4mm (US 6) needles.